



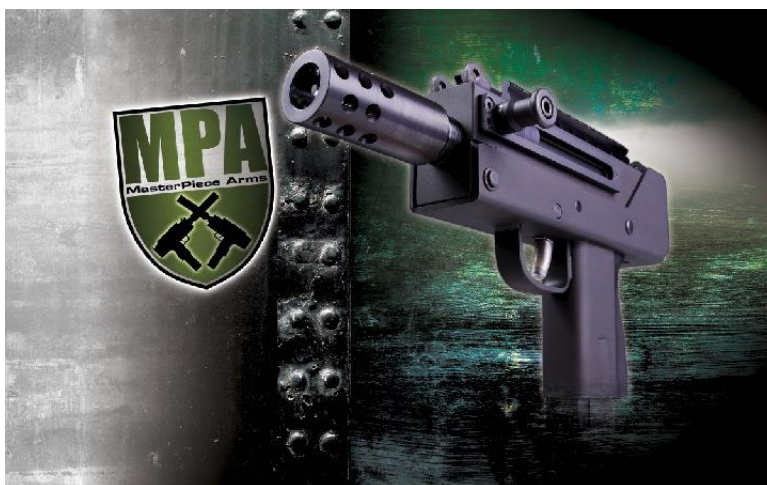
4904 Hwy 98/PO Box 67 Comer, GA 30629
(866) 803-0000 Fax (706-783-5800)

Defender Series Owner's Manual

MPA1SST & MPA20SST/DMG Carbines

MPA10T & MPA10SST Pistols

MPA30T & MPA30SST/DMG Pistols



When you purchased your MPA Defender Series weapon, you purchased the most reliable weapon in its class. MasterPiece Arms spent more than one and one half years engineering, testing and re-testing our weapons to provide you with one of the most enjoyable guns available.

We sincerely hope that you have many years of fun and safe shooting with your MPA Defender Series weapon.

Respectfully Yours
MasterPiece Arms

PLEASE NOTE:

Even though the pictures and descriptions in this manual may show a Top Cocker the bolts are the small on both the Top Cocker and the Side Cocker models. The basic operation is the same for both. The Side Cockers handle remains stationery during firing and it is standard with a Scope Rail.

All Carbines sold after 6/15/10 will be Side Cockers. Also, the general information in this manual also applies to the Tactical Pistols and Carbines.

READ THIS MANUAL IN ITS ENTIRETY BEFORE OPERATING YOUR MPA FIREARM.

WARNING

The Bureau of Alcohol, Tobacco and Firearms classifies this MPA Gun as a firearm or dangerous weapon. If used or handled improperly it could cause injury and possibly death. Read and understand this manual before using this firearm. Follow these instructions with the utmost regard to safety, handling, operation, cleaning, selection of ammunition etc... Failure to follow these instructions and safety precautions could cause personal injury and/or damage to your firearm and may void your warranty.

Always assume that the firearm is loaded until you positively verify that the chamber is empty.

- Do not permit others to use the weapon until they have read this manual and are familiar with the safety precautions for operating this firearm.
- Your safety and the safety of your family and others depend on your safe and mature adoption, development and consistent employment of SAFE FIREARMS HANDLING PRACTICES. If you are unfamiliar with firearms seek further advice through safe gun handling courses offered by your local gun clubs, qualified instructors, or similar qualified organizations.
- Always store ammunition separately from the firearm.
- All loaded weapons are very dangerous. Treat them accordingly.
- Never carry this weapon in a pocket, purse, or other carrying case while loaded.
- At all times be aware of the direction the gun is pointed. Whether the gun is loaded or unloaded never point the gun at any thing you do not intend to shoot. Your first assumption should always be that the firearm is loaded.
- Never touch the trigger unless you intend to fire the firearm.
- Before loading make sure that the safety selector is in the "SAFE" position.

- Verify that the bore of the barrel is not obstructed in any way before loading. Note that congealed oils and grease in the bore can be obstructions.
- While loading always be certain that the weapon is pointed in a safe direction.
- Do not load the chamber of the weapon (see “Loading” for details) until you are ready to fire the weapon. Once the chamber is loaded and the safety selector is set to “FIRE” the weapon will fire if the trigger is pulled.
- Always wear firearms related safety glasses and hearing protection when firing this weapon.
- Do not shoot at hard surfaces or at water. Bullets can unpredictably ricochet in any direction and unintentionally injure or damage someone or something. Be aware of what is behind your target because a bullet may travel up to a mile past the target. If in doubt about safety, DON'T FIRE.
- When unloading this weapon remove the magazine and only after the magazine has been removed pull back the bolt to visually check to verify that the chamber is empty.
- It is not normal for this weapon to malfunction. If it should malfunction stop using it immediately and do not use it again until the source of the problem is positively identified and competently corrected by the manufacturer or a reputable gunsmith.
- When working on a malfunctioning gun always assume that it is loaded. Wear eye and ear protection and keep the muzzle pointed in a safe direction.
- The design and tolerances found in the MPA Defender & Tactical Series guns require genuine MasterPiece Arms manufactured parts. Do not make alterations. Such changes can make the weapon unsafe and will void the warranty.
- Before cleaning the weapon always be certain that it is not loaded.
- Never lubricate a loaded gun and never get lubricant on ammunition. Lubricant may damage ammunition leading to misfires.
- This manual is only applicable to the MPA Defender & Tactical Series weapons. All instructions, warnings and precautions are not applicable to any other make or model.
- Only use brass cased ammo. No aluminum case ammo.
- Never put a hand or any other body part in front of the muzzle or ejection port of the Defender Pistol or Carbine while firing the firearm.

MOST IMPORTANTLY, BE SAFE AT ALL TIMES

Table of Contents

1) GENERAL DESCRIPTION	6
2) SPECIFICATIONS	6
3) INITIAL INSPECTION	7
4) SELECTION OF AMMUNITION	8
5) MAJOR COMPONENTS	8
6) LOADING	9
A) MAGAZINE	9
B) LOADING THE WEAPON	10
7) UNLOADING	12
8) CLEANING AND MAINTENANCE	13
9) PARTS LIST	18
10) WARRANTY FORM	26

1) GENERAL DESCRIPTION

A) The MPA Defender & Tactical Series deliver high capacity fire-power in compact, easy to handle units, making them ideal for a lifetime of recreational shooting or home defense.

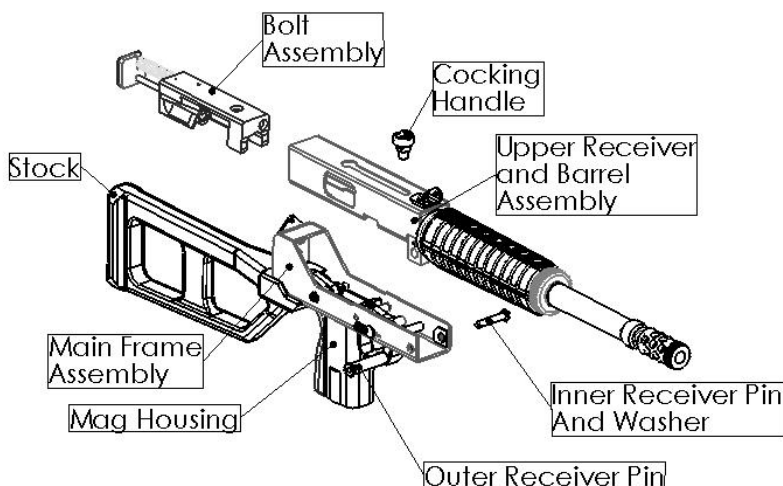
2) INITIAL INSPECTION

A) Examine the delivered gun. All MasterPiece Arms weapons are factory inspected, serial numbered, logged, and shipped with a bonded carrier. However, MasterPiece Arms cannot control damage, operation, or pilferage between delivery to the wholesaler and the ultimate purchase. Refer to the dealer if any damage or missing parts are noted.

3) SELECTION OF AMMUNITION

A) MasterPiece Arms recommends new (not reloaded) quality ammunition. Quality ammunition helps to assure consistent performance. For specific type of ammunition, see specifications in section 2.

4) MAJOR COMPONENTS



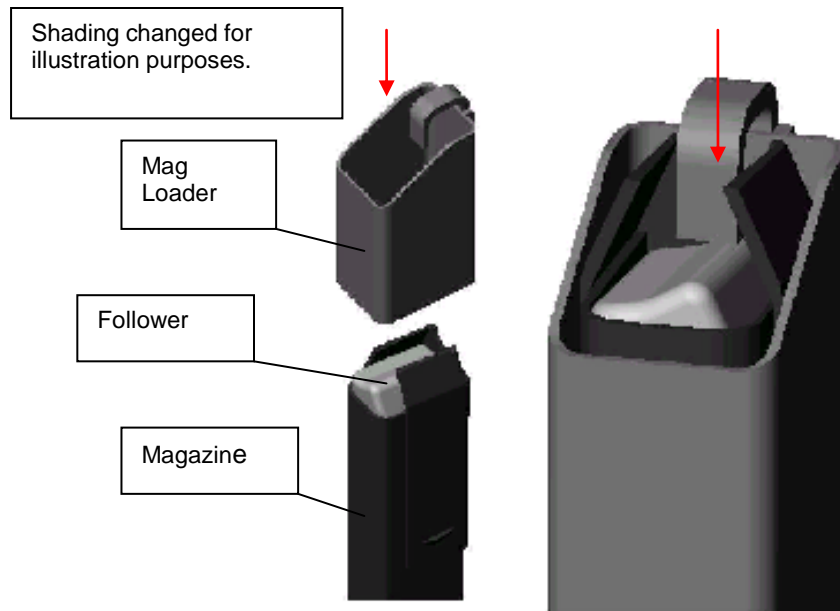
Please be advised that if your Pistol or Carbine is a Side Cocker the Bolt and all other parts except the Cocking Handle and Upper Receiver will be the same as shown. For the Side Cockers the Cocking Handle will be on the side and it will not move as you fire the gun. The part numbers for the different Uppers and Cocking Handles are listed on page 24 of this manual.

5) LOADING

A) MAGAZINE

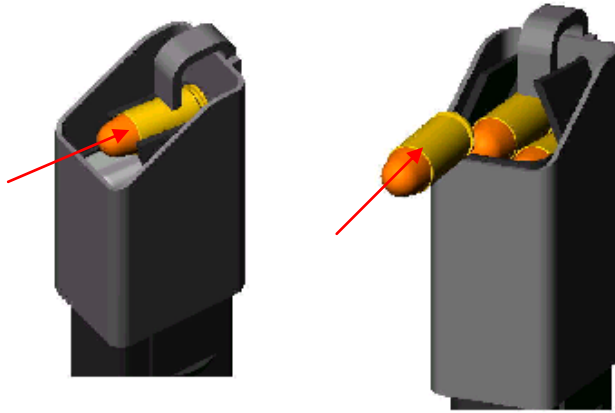
- Slide Mag Loader over magazine as shown below. Push Mag Loader downward to compress follower.

- While follower is compressed, insert bullet all the way in magazine until the bullet hits the finger of



the Mag Loader.

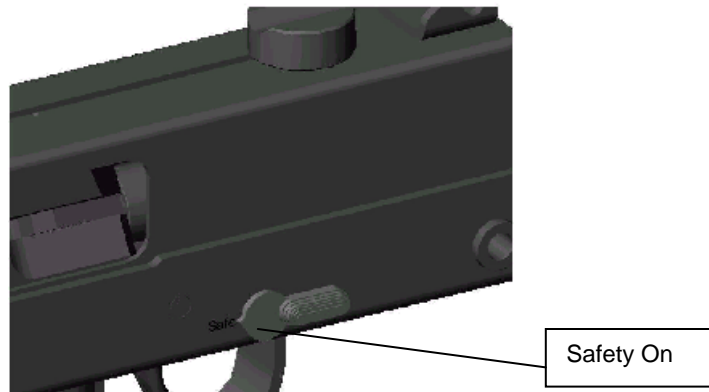




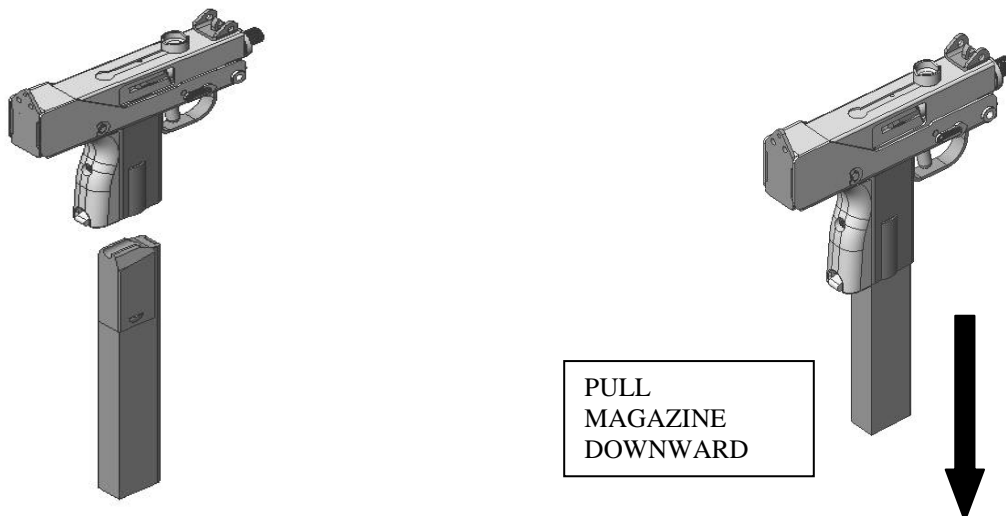
- Raise the Mag Loader until the finger allows the bullet to pass under. Push the bullet back until it stops against the inside wall of the magazine. Repeat steps until magazine is full or desired amount of ammo is loaded in magazine. Note: Magazine is full when it will not push down any further.

B) LOADING THE WEAPON

- Always be certain that the safety selector is in the “Safe” Position before loading.



- Insert the magazine into the mag-housing. You should hear the Mag Catch click into place. Always pull downward on the magazine to make sure the Mag Catch is holding on the magazine lip.



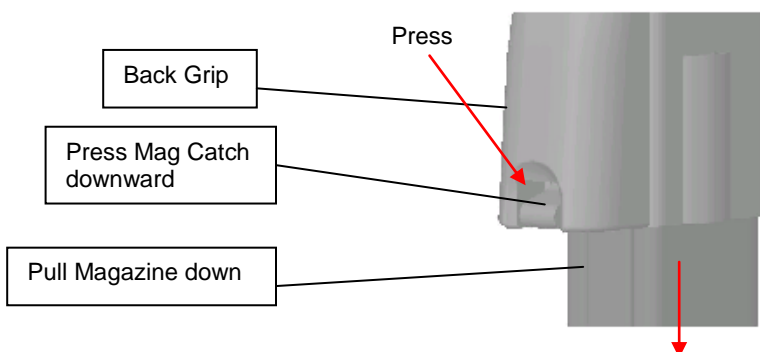
- Pull the cocking handle all the way back (remembering to keep the muzzle pointed in a safe direction) and release it. This will put a round in the chamber.



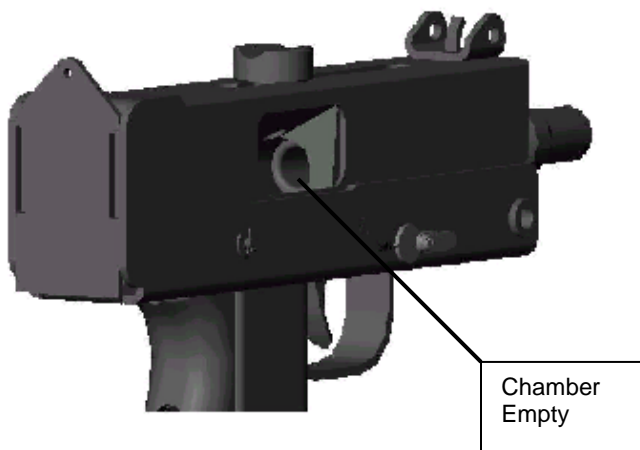
- Rotate the safety selector to the "Fire" position. Now the weapon is ready to fire. Never touch the trigger with the weapon in this state unless you intend to fire it.

6) UNLOADING

- A) Always treat the gun as if it is loaded. Turn the safety selector to the "Safe" position. Press the Mag Catch downward with your thumb and pull on the magazine. This should allow the magazine to be completely removed.

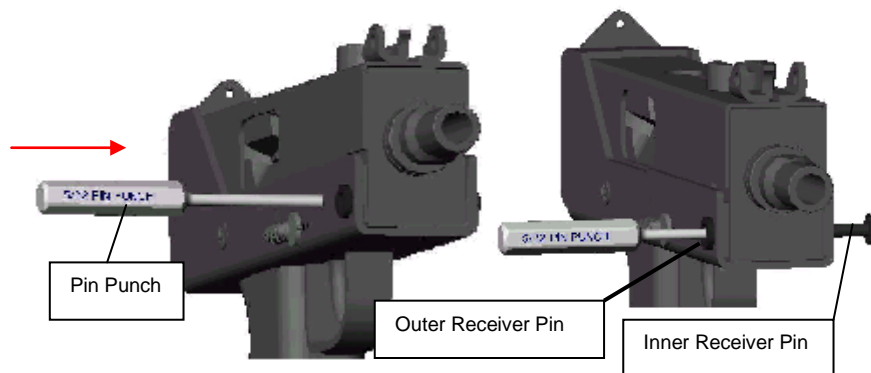


- B) After magazine has been removed from weapon, assume that there is still a round in the chamber. To remove a round from the chamber, open the bolt by pulling the cocking handle all the way back. This should eject the unspent round, but always visually check to make sure the chamber is empty.

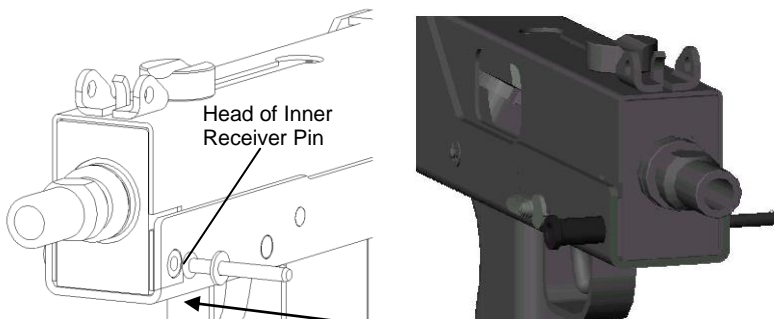


7) CLEANING AND MAINTENANCE

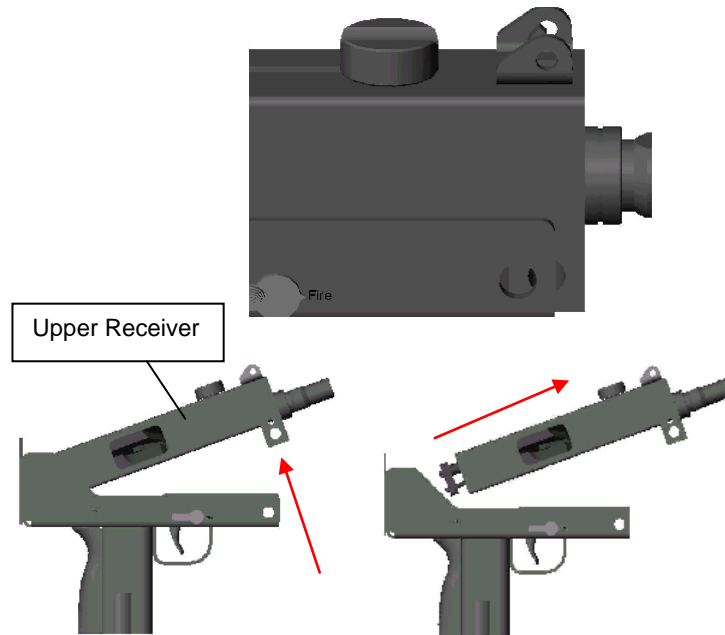
- A) Make certain that the weapon is completely unloaded. Turn the safety selector to the "Fire" Position and pull the trigger. The hammer must be released before disassembly. Using a 5/32" or smaller pin punch, push inner receiver pin out far enough to pull it out by hand.



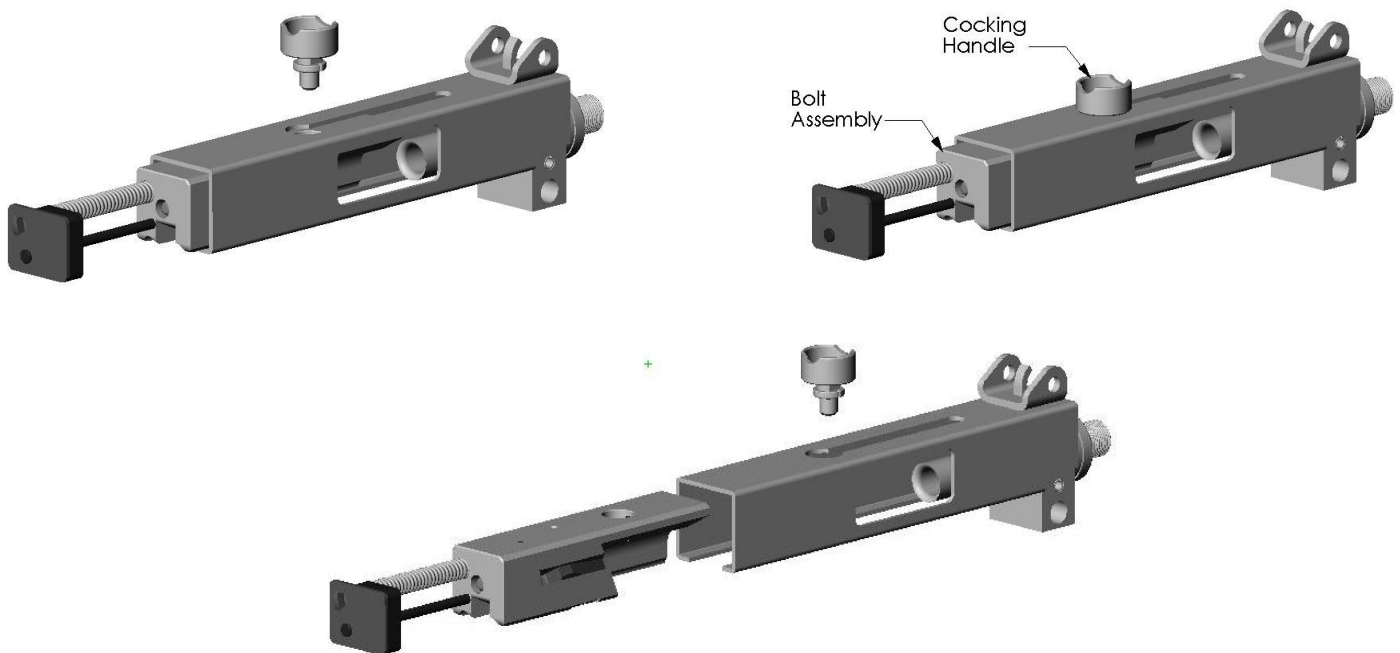
- B) After removing the inner receiver pin turn pin around and use the head to push the outer pin far enough out to remove out by hand.



C) Once the receiver pins have been removed, the upper receiver will advance forward slightly. Lift the front of the upper receiver up as shown below. You will hear the hammer release (this is normal). Pull the upper receiver and bolt assembly out of the frame in the direction shown below.

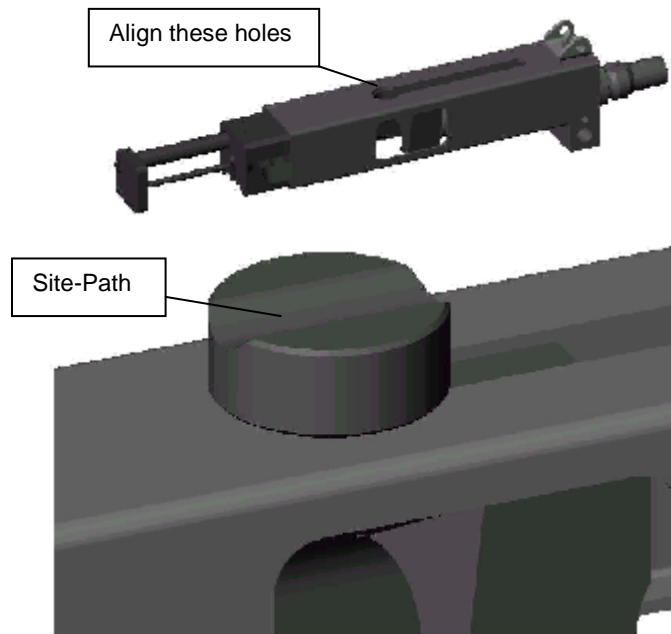


D) Slide bolt assembly all the back until it stops. At this point the cocking handle is aligned with the large hole at the back end of the top slot in the upper receiver. Pull the cocking handle straight up. This will allow the bolt assembly to slide out the back opening in the upper receiver.

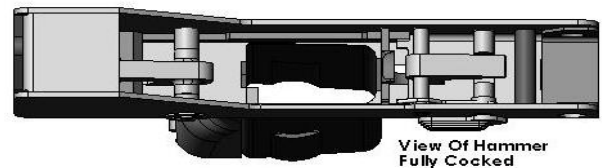
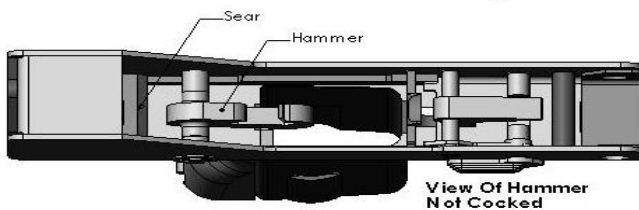


Clean any residue from all parts and wipe with a light oil. To reassemble proceed to the next step.

- E) Reinstall the bolt assembly in the opposite direction as it came out.
- F) Align the hole in the top of the bolt assembly with the large hole at the back end of the slot in the top of the upper receiver.
- G) Reinstall the cocking handle. Rotate the cocking handle so that the site-path of the cocking handle is point in the front to back direction.
- H) If the cocking handle is not oriented in this manner it will not allow the bolt assembly to move forward in the upper receiver.



- I) After removing the upper receiver the hammer will not be cocked. It will be pivoted forward. Before reinstalling the upper receiver the hammer must be cocked. Rotate hammer up and back toward the back of frame, then down until it clicks and is held back by the sear. The hammer is now cocked.

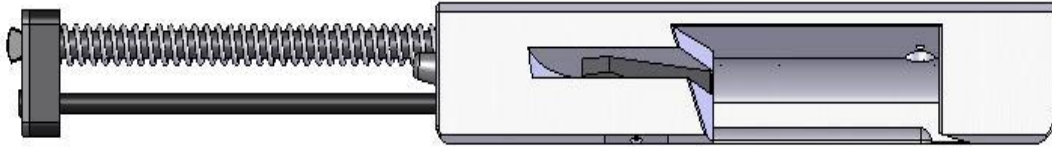


- J) Reinstall upper receiver and bolt assembly back onto frame reverse of the disassembly shown in steps 8-A, B, and C.

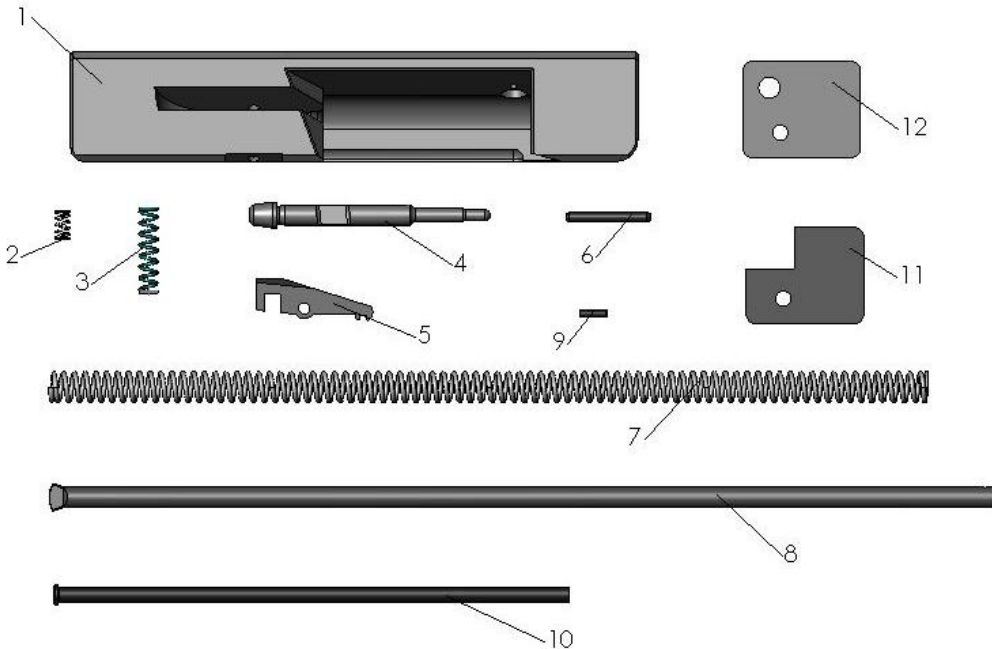
8) Parts List

A) Bolt Assembly for all 45 Caliber Top Cockers & Side Cocker Pistols & Carbines

Assembled View



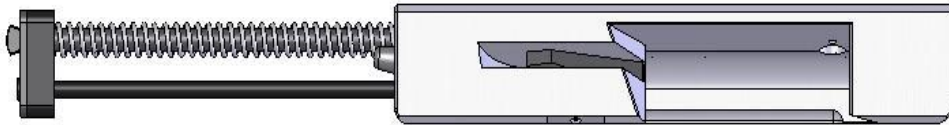
Bolt Assembly Breakdown for Top Cockers and Side Cockers



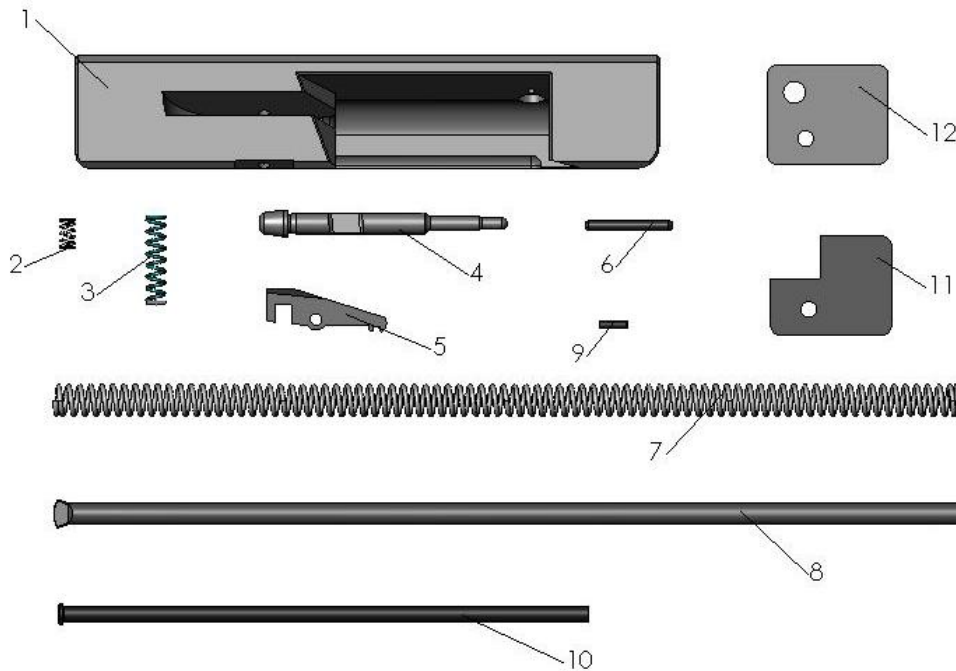
<u>Item</u>	<u>Part Number</u>	<u>Description</u>
1	MPA20-26RDFP	9mm Hammer Fired Bolt
2	MPA1-29	45/9mm Extractor Spring
3	MPA20-32RDFP	9mm Round Firing Pin Spring
4	MPA20-31RDFP	9mm Firing Pin
5	MPA1-39	45/9mm Extractor
6	MPA1-30	45/9mm Extractor Retainer (2 per Bolt Assembly)
7	MPA20-38	45 Recoil Rod Spring
8	MPA20-35	9mm Recoil Rod
9	MPA20-36	9mm Recoil Rod Pin
10	MPA20-33	9mm Ejector Rod
11	MPA20-39	9mm Recoil Pad
12	MPA20-40	9mm Recoil Plate

B) Bolt Assembly for all 9mm Top Cocker & Side Cocker Pistols & Carbines

Assembled View

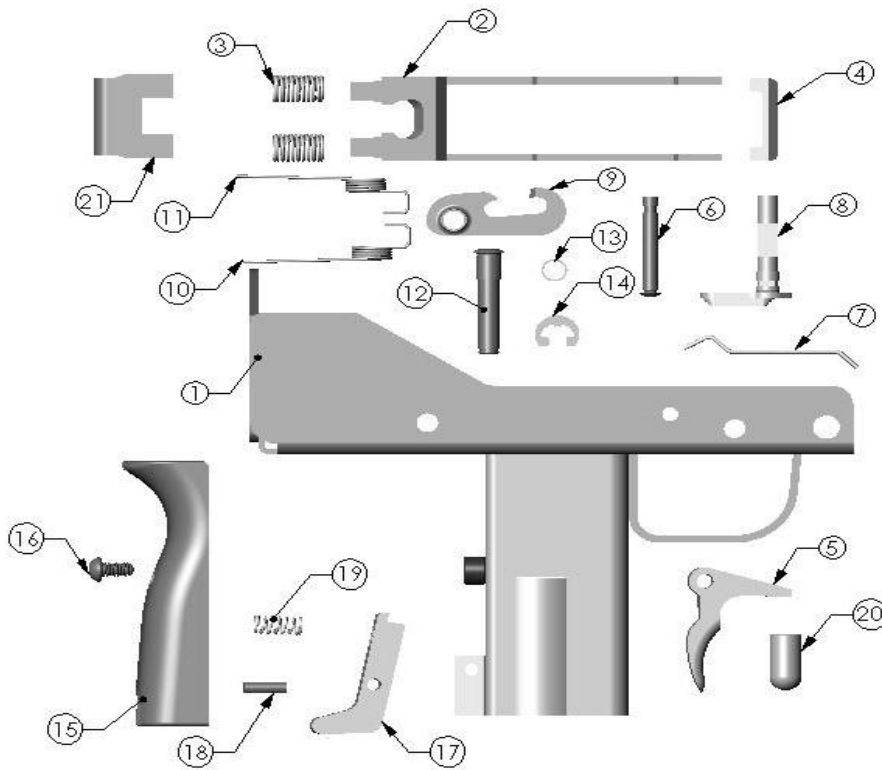


Bolt Assembly Breakdown



<u>Item</u>	<u>Part Number</u>	<u>Description</u>
1	MPA20-26RDFP	9mm Hammer Fired Bolt
2	MPA1-29	45/9mm Extractor Spring
3	MPA20-32RDFP	9mm Round Firing Pin Spring
4	MPA20-31RDFP	9mm Round Firing Pin
5	MPA1-28	45/9mm Extractor
6	MPA1-30	45/9 Firing Pin/Extractor Retainer
7	MPA20-38	9mm Recoil Rod Spring
8	MPA20-35	9mm Recoil Rod
9	MPA20-36	9mm Recoil Rod Pin
10	MPA20-33	9mm Ejector Rod
11	MPA20-39	9mm Recoil Pad
12	MPA20-40	9mm Recoil Plate

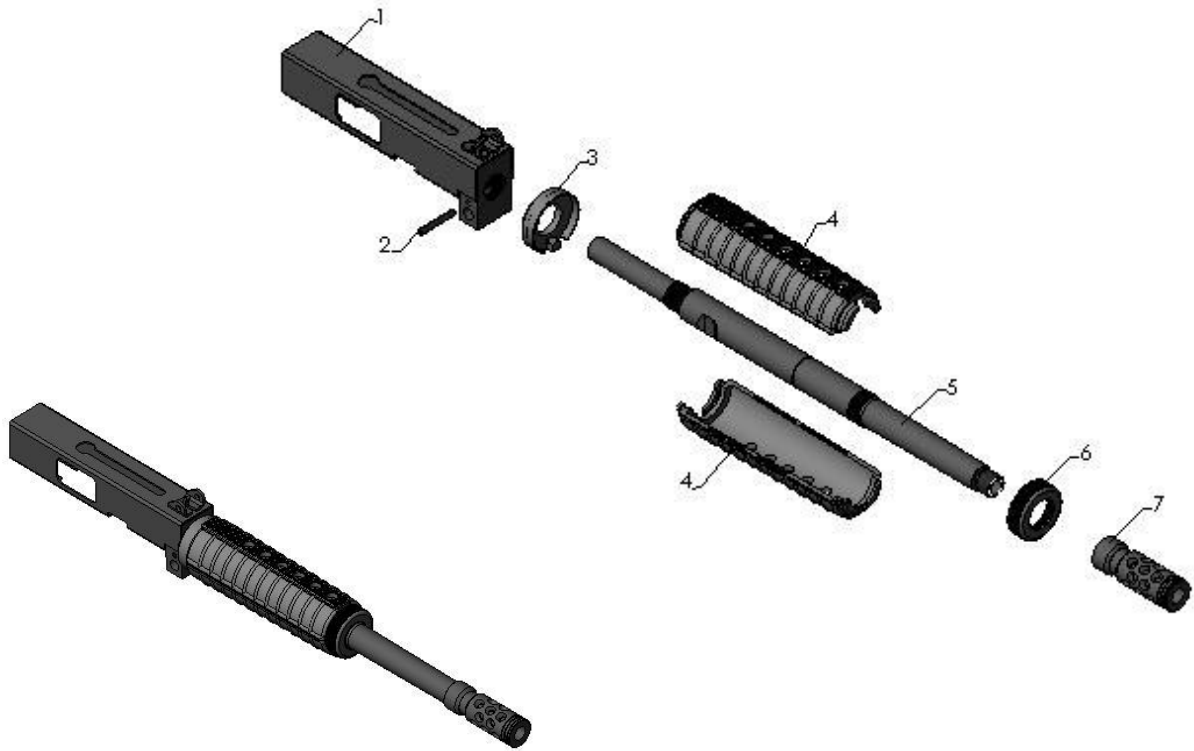
C) 45 (MPA1A01) & 9mm (MPA20A01) Lower Receiver Assembly



Item	Part Number	Description
20	MPA1-14 MPA20-14	Semi Wire Retainer
MPA930 – MINI 9 Lower Receiver Assembly		

1	MPA930-01A	MINI 9 Lower Frame Weldment
2	MPA930-09	MINI Sear Plate
3	MPA930-10	MINI 9 Sear Spring(2)
4	MPA20-11	9mm Trigger Bar
5	MPA20-12	9mm Trigger
6	MPA20-13	9mm Trigger Pin
7	MPA930-14	MINI 9 Semi Wire Retainer
8	MPA20-15	9mm Safety Selector
9	MPA930-16	MINI 9 Hammer
10	MPA930-17	MINI 9 Hammer Spring LH
11	MPA930-18	MINI 9 Hammer Spring RH
12	MPA930-19	MINI 9 Hammer Pin
13	MPA930-19-1	MINI 9 Hammer Spacer
14	MPA930-20	MINI 9 Hammer Pin Retainer
15	MPA1-21	45/9mm Back Grip
16	MPA1-22	45/9mm Back Grip Screw
17	MPA20-23	9mm Mag. Catch(Sten)
18	MPA1-24	45/9mm Mag. Catch Pin
19	MPA1-25	45/9mm Mag. Catch Spring
20	MPA1-66	Trigger Boot
21	MPA930-67	MINI 9 Sear Spring Holder

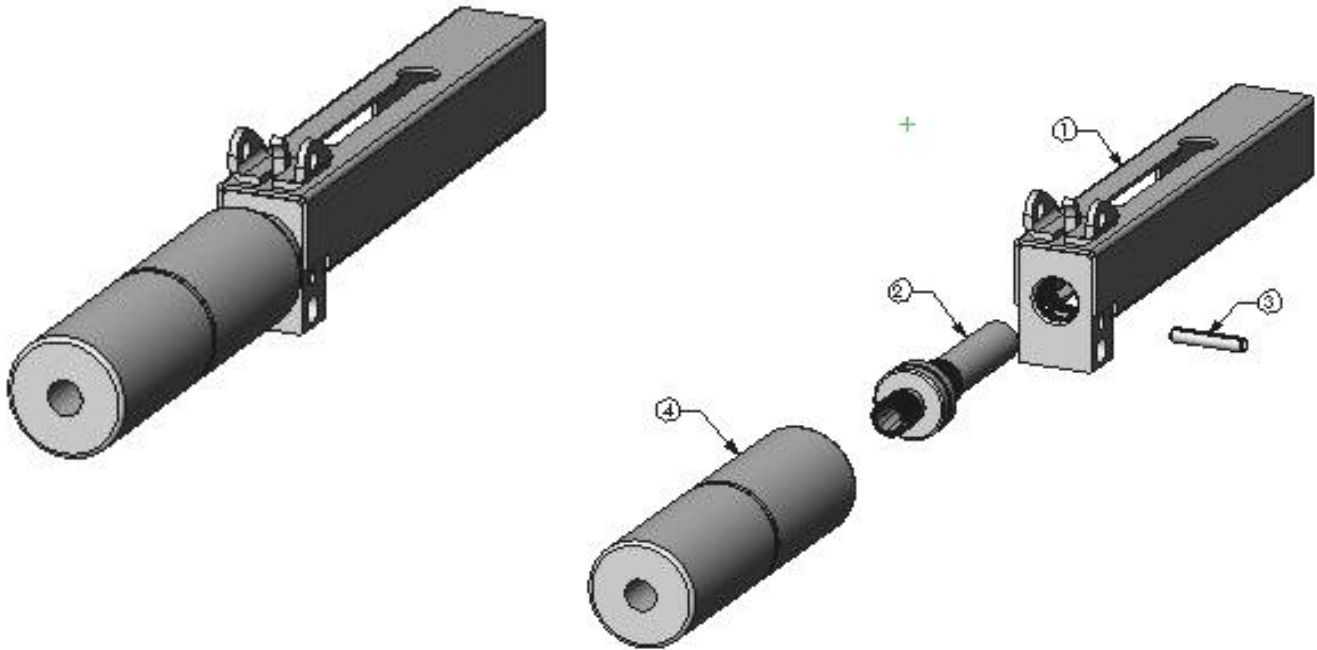
D) MPA1A47-46A – 45 Cal. Carbine Rifle and MPA20A47-46A – 9mm Carbine Rifle Upper Receiver Assemblies



45 Cal. & 9mm Carbine Rifle Upper Receiver Assemblies

<u>Item</u>	<u>Part Number</u>		<u>Description</u>
	45 Cal.	9mm	
1	MPA1-72	MPA20-72	Upper Receiver
2	MPA1-49	MPA20-49	Barrel Pin
3	MPA1-42B	MPA20-42A	Rear Bushing
4	MPA971-43	MPA971-43	AR15 Hand Grip
5	MPA9175	MPA9169	Carbine Barrel
6	MPA20-41	MPA20-41	Front Bushing
7	MPA1-56	MPA20-56	Muzzle Brake

E) 45 Cal. Pistol Upper Receiver Assembly and 9mm Pistol Upper Receiver Assembly



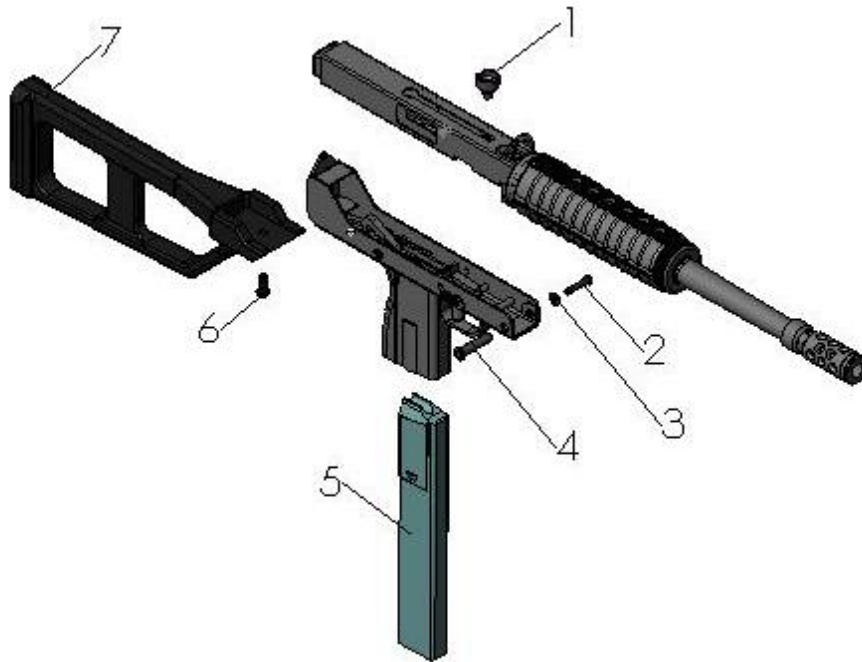
45 Cal. & 9mm Pistol Upper Receiver Assemblies

Item	Part Number		Description
	45 Cal.	9mm	
1	MPA1-47	MPA20-47	Upper Receiver
2	MPA9009	MPA9000	Barrel
3	MPA1-49	MPA20-49	Barrel Pin
4	MPA10T-73	MPA30T-73	Safety Extension

Optional Safety Extensions

MPA10T-73V	MPA30-73V	Safety Extension
------------	-----------	------------------

F) Parts Supplemental all models



Supplemental Parts all models

<u>Item</u>	<u>Part Number</u>		<u>Description</u>
	45 Cal.	9mm	
1	MPA1-45	MPA20-45	Top Cocking Handle
1	MPA1-72-5	MPA1-72-5	Side Cocking Handle
	MPA1A57	MPA20A57	Receiver Pin Assembly including items 2, 3, & 4.
2	MPA1-57-2	MPA20-57-2	Inner Receiver Pin
3	MPA1-57-3	MPA20-57-3	Receiver Pin Washer
4	MPA1-57-1	MPA20-57-1	Outer Receiver Pin
5	MPA1-70	MPA20-70P	30/35 Round Magazine
6	MPA1-54	MPA1-54	45/9mm Stock Screw
7	MPA1-53	MPA20-53	Stock

Conditional Lifetime Warranty To Original Purchaser

All **MasterPiece Arms** firearms come with a conditional lifetime warranty (conditions listed below). Warranty covers any defect or malfunction due to poor workmanship or materials.

Warranty applies only to the original purchaser of the gun. The original purchaser is to fill out the warranty card located on the inside of the last page of the owner's manual provided with every **MasterPiece firearm**. Warranty will not be valid unless card is on file.

If firearm is defective or malfunctions due to materials or workmanship, simply return the unit to **MasterPiece Arms** with a short note describing the problem. Owner will be expected to cover the shipping cost to **MasterPiece Arms**. Then MPA will pay for return shipping, repair work, and all replacement parts required.

MasterPiece Arms reserves the right to inspect and determine if the problem is due to misuse, abuse or neglect, which are NOT covered by this warranty. **MasterPiece Arms** must perform all warranty evaluations and repairs, no consideration or reimbursements will be made to any repairs not performed by **MasterPiece Arms**.

Warranty will not cover any of the following conditions:

- *Damage incurred from use with an unauthorized attachment or accessory.
- *Modification of the unit by persons other than **MasterPiece Arms**.
- *Unit returned by persons other than the original purchaser.
- *Firearms used as rental equipment or for commercial use.
- *Improper installation of parts.
- *Weather damage.
- *Abuse

*The entire gun must be returned for warranty repair consideration. If an incomplete gun is returned for warranty repair, no repairs will be considered.

Our liability is limited to the price paid for the product. In no event will **MasterPiece Arms** or their resellers be liable for any indirect, special, incidental or consequential damages resulting from the performance or failure to perform under this agreement. All ammunition must be of the proper caliber and type for the firearm and must meet the provisions of C.I.P. or SAAMI in size and gas pressure. Use of improper ammunition voids the warranty and releases the producer from any product liability and or warranty. By acceptance of this product, the purchaser agrees to the terms of this warranty.

MasterPiece Arms Defender Series Warranty Registration Card

MasterPiece Arms Serial # _____ Date Purchased: _____

Owner: Mr./Mrs./Ms. _____

Agency/Company: _____

Street Address: _____

City: _____ State: _____ Zip: _____

Telephone: _____ E-Mail: _____

Purchaser's Name if different from Owner: _____

Dealer: _____

Address: _____

City: _____ State: _____ Zip: _____

Return this card with copy of sales slip to: **MasterPiece Arms
PO Box 67
Comer, GA 30629**